

ExCam® IPQ1785



Datasheet.

Features.

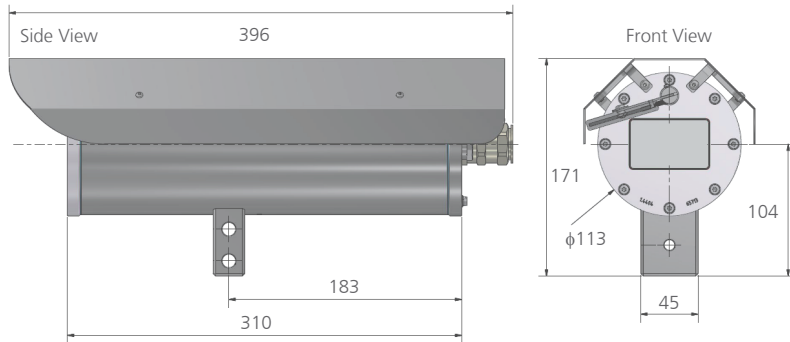
- ✓ Broad Certification Landscape for **Hazardous Areas** (ATEX, IECEx, EAC-Ex and more)
- ✓ Powerful **Wiper Solution** with Torque Control
- ✓ **Arctic-Temperature-Control** (-60°C)
- ✓ **Single-Cable-Solution** (PoE / 24VDC)
- ✓ Protection Level of **IP68** (IEC 60529)
- ✓ High Resolution: **1920x1080** (HDTV 1080p)
- ✓ Powerful **Motor-Zoom-Autofocus-Lens** (32x Optical)
- ✓ **Lightfinder** and **WDR** Technologies
- ✓ Easy **VMS** Integration

Zones.

Group II (Gas & Dust)	ATEX / IECEx / EAC-Ex				
Zone	0	1	2	21	22
For use in	✗	✓	✓	✓	✓

More certificates on request

Dimensions [mm].



Models.

T08- VA.2.3.K3.BORX- X. H- XXX. X- X

P = Plug RJ45 cable connector (standard)
 T = Terminal box (Ex-e) connection
 N = Non armoured cable (standard)
 A = Armoured cable
 ___ = Cable length (see UM) (005 = standard)
 H = High Temp. ($T_{amb} \leq +60^{\circ}C$)
 N = Normal Temp., no heater installed ($T_{amb} \geq -10^{\circ}C$) (standard)
 L = Low Temp., PTC heater installed ($T_{amb} \geq -30^{\circ}C$)
 LL = Low Low Temp., PTC heater installed ($T_{amb} \geq -60^{\circ}C$)

VA2.3.K3.BOR5 = Camera in stainless steel housing 1.4404 with wiper
 VA2.3.K3.BOR2 = Camera in stainless steel housing 1.4404 without wiper

T08 = ATEX, IECEx & EAC-Ex Camera type No. 08 (TÜV 18...)

Plug Termination.

T08- VA2.3.K3.BOR5-X.X-XXX.X-P



Terminal Box Termination.

T08- VA2.3.K3.BOR5-X.X-XXX.X-T



Comm-Co B.V.
 Kreekzoom 9, 4561 GX, Hulst
 The Netherlands
 Tel: +31 114-370030
 Email: info@comm-co.com

COMM-CO
 Communication today and tomorrow

Data.

ExCam® IPQ1785



Explosion protection

Declaration of conformity:

DIN EN/IEC/GOST ... 60079-0, DIN EN/IEC/GOST ... 60079-1,
DIN EN/IEC/GOST ... 60079-7, DIN EN/IEC/GOST ... 60079-31
TUEV-18-ATEX-8218X, IECEx-TUR-18.0023X,
No. TC RU C-DE.AB.61.B.00381/19, IA No: MASC MS/18-3256X



Ex- Certificates:



Ex- Marking of the camera:

II 2G Ex db IIC T5 Gb
II 2D Ex tb IIIC T95°C Db

Explosion protection (gas):

II 2G Ex eb IIC T5 Gb

Explosion protection (dust):

II 2D Ex tb IIIC T95°C Db (IP66)

Ex- Marking of the junction box:

Explosion protection (gas):

Explosion protection (dust):



Housing material (CAM/TB):

Protection level (CAM/TB):

Stainless Steel (AISI 316L/1.4404), Polyester resin

Weight:

IP68, IP66 (IEC/EN 60529)

ca.9 kg*



Range of temperature:

-60°C to +60°C*



Camera power supply (N, LL):

IEEE 802.3af/802.3at Type 1 Class 3 Typical 7.7 W, max 12.95 W

Camera power supply (L):

IEEE 802.3af/802.3at Type 2 Class 4 (25.5W@-30°C)

Heater power supply (LL):

40W@24VDC@-60°C* (see user manual)



Connection cable type:

Outside diameter:

WWW.SAMCON.EU ... Cat.6 / 4x2xAWG23/1 ...*

9 mm - 17 mm*



Lens

Type:

4.3 – 137 mm, F1.4 – 4.0, Autofocus

Field of view:

HFoV: 60° – 2.3°, VFoW: 39° – 1.3°

Minimum illumination:

Color: 0.16 lux at 50 IRE F1.4, B/W: 0.03 lux at 50 IRE F1.4



Camera

Image sensor:

1/2.8" progressive scan RGB CMOS

Shutter time:

1/66500 s to 1 s



Videocompression:

H.264 (MPEG-4 Part 10/AVC) Baseline, Main and High Profiles Motion JPEG

Resolution:

1920x1080 HDTV 1080p

Frame rate:

With WDR: Up to 30/25 fps (60/50 Hz) in all resolutions

Without WDR: Up to 60/50 fps (60/50 Hz) in all resolutions

Video streaming:

Multiple, individually configurable streams in H.264 and Motion JPEG

Axis Zipstream technology in H.264

Controllable frame rate and bandwidth, VBR/MBR H.264

Image settings:

Saturation, contrast, brightness, sharpness, Forensic WDR, white balance, exposure mode, exposure zones, compression, mirroring of images, electronic image stabilization, barrel distortion correction, text and image overlay, dynamic text and image overlay, privacy masks, Rotation: 0°, 90°, 180°, 270° including Corridor Format

Pan/Tilt/Zoom:

32x optical zoom, preset positions

Edge storage:

SD/SDHC/SDXC slot supporting memory card up to 64 GB (card not included);

Support for recording to dedicated network-attached storage (NAS)



Network

Security:

Password protection, IP address filtering, HTTPS encryption, digest authentication, user access log

Supported protocols:

IPv4/v6, HTTP, HTTPS, QoS Layer 3 DiffServ, FTP, SMTP, Bonjour, UPnP, SNMPv1/v2c, v3(MIB-II), DNS, DynDNS, NTP, RTSP, RTP, TCP, UDP, IGMP, etc...



System integration

Application Programming Interface:

Open API for software integration, including VAPIX® and AXIS Camera Application Platform; specifications at www.axis.com; AXIS Video Hosting System (AVHS) with One-Click Connection; ONVIF® Profile S, ONVIF® Profile G and ONVIF® Profile T, specification at onvif.org

Analytics Included:

AXIS Video Motion Detection, active tampering alarm, gatekeeper Supported AXIS Perimeter Defender, AXIS Cross Line Detection Support for AXIS Camera Application Platform enabling installation of third-party applications, see www.axis.com/acap

Event triggers:

Analytics, edge storage events, supervised external input, edge storage events, virtual inputs through API

Event actions:

Pre- and post-alarm video buffering

File upload: FTP, SFTP, HTTP, HTTPS, network share and email

Notification: email, HTTP, HTTPS, TCP and SNMP trap

Data streaming:

Event data

Built-in installation aids:

Pixel counter

Optional accessories:

Wall mount bracket, Pole mount bracket, Ceiling mount bracket, Non-armoured cable kits, armoured cable kits, ExConnection Rails, ...

* = depending on model (see user manual)

** = illustrations show models with accessories that are subjected to an extra charge



Comm-Co B.V.

Kreekzoom 9, 4561 GX, Hulst

The Netherlands

Tel: +31 114-370030

Email: info@comm-co.com

COMM-CO
Communication today and tomorrow