

EX10 Extreme Environment Camera

www.boschsecurity.com



BOSCH
Invented for life



The EX10 series is particularly suited for harsh weather applications. The simple, effective design allows performance in the most challenging of environmental conditions, including wash-down facilities, corrosive environments and sub-zero temperatures.

Made of an injection-molded ABS/Nylon resin, the EX10 series is engineered specifically to withstand hot, cold and wet environments. An insulated inner chamber eliminates the requirement for internal heaters and blowers. Compliant to IP67, the EX10 series also features an easy-access camera compartment for easy camera/lens adjustments and installation.

Rugged, compact, power protected and extreme weather-sealed, the EX10 is the ideal camera for harsh environments in day or dark conditions. The EX10 comes complete with a nylon wall bracket for quick and easy installation.

Functions

Applications

- Food processing
- Marine vessels and marinas
- Clean rooms
- Acid / alkali environments

- ▶ Weatherproof and insulated for hot and cold environments
- ▶ Installer-friendly, easy-access camera compartment
- ▶ Extreme weather sealed, waterproof and IP67 compliant
- ▶ Reduced power consumption, no requirement for internal heater or fan
- ▶ Operating temperature range from -60°C to +60°C

- Swimming pools
- Sewage treatment plants
- Industrial freezers
- Oil rigs

Certifications and approvals

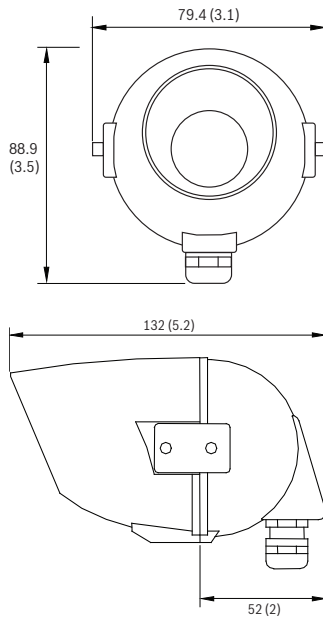
CSA Type 6	Outdoor weather rating
CSA C22.2 No 0-M1991	General electrical reqts, part II
CSA C22.2 No 1-M94	Audio, video, and similar equipment
CSA C22.2 No 94-M91	Special purpose enclosures
UL Std No 50	Enclosures for electrical equipment
UL Std No 2044	Commercial CCTV equipment
FCC Class B	



COMM-CO

Installation/configuration notes

Dimensions



mm (in)

Parts included

- Universal mounting bracket included

Technical specifications

C7 Hi-Res Color

Image Sensor	1/3 in. Interline SuperHAD
Resolution	500 TVL
Effective Pixels NTSC	768 (H) x 494 (V)
Effective Pixels PAL	768 (H) x 494 (V)
Sensitivity	2.7 Lux at F1.4
S/N Ratio	Greater than 48 dB

MX4 Extended Day/Night

Image Sensor	1/3 in. LXR CCD
Resolution	540 TVL color / 540 TVL monochrome
Effective Pixels NTSC	768 (H) x 494 (V)
Effective Pixels PAL	752 (H) x 582 (V)
Sensitivity	0.02 Lux with F1.4 lens
S/N Ratio	Greater than 48dB

All Models

Video Output	1 Vpp, 75 ohm
Gamma	0.45

Gain Control	> 18 dB
Electronics Iris	1/60 to 1/100,000 (NTSC) 1/50 to 1/100,000 (PAL)

Voltage Supply	12 to 24 AC/DC
Power Consumption	120 mA at 12 VDC, 1.4 W (max)

Enclosure	Injection-molded nylon
Window	Polycarbonate
Dimensions	132 x 76 mm 5.2 x 3.0 in
Weight	0.375 kg (0.8 lb)

Operation Temperature Range	-60 °C to +60 °C (-76 °F to 140 °F)
Environmental	IP67, NEMA6, NEMA6P compliant

Ordering information

EX10C704B-N Extreme Environment Camera
1/3 in. hi-res color, 500TVL, 3.6 mm lens, NTSC
Order number **EX10C704B-N**

EX10C706B-N Extreme Environment Camera
1/3 in. hi-res color, 500TVL, 6 mm lens, NTSC
Order number **EX10C706B-N**

EX10C712B-N Extreme Environment Camera
1/3 in. hi-res color, 500TVL, 12 mm lens, NTSC
Order number **EX10C712B-N**

EX10C704B-P Extreme Environment Camera
1/3 in. hi-res color, 500TVL, 3.6 mm lens, PAL
Order number **EX10C704B-P**

EX10C706B-P Extreme Environment Camera
1/3 in. hi-res color, 500TVL, 6 mm lens, PAL
Order number **EX10C706B-P**

EX10C712B-P Extreme Environment Camera
1/3 in. hi-res color, 500TVL, 12 mm lens, PAL
Order number **EX10C712B-P**

EX10M404B-N Extreme Environment Camera
1/3 in. hi-res day/night, 540/540TVL, 3.6 mm lens, NTSC
Order number **EX10M404B-N**

EX10M406B-N Extreme Environment Camera
1/3 in. hi-res day/night, 540/540TVL, 6 mm lens, NTSC
Order number **EX10M406B-N**

EX10M412B-N Extreme Environment Camera

1/3 in. hi-res day/night, 540/540TVL, 12 mm lens,
NTSC

Order number **EX10M412B-N**

EX10M404B-P Extreme Environment Camera

1/3 in. hi-res day/night, 540/540TVL, 3.6 mm lens, PAL

Order number **EX10M404B-P**

EX10M406B-P Extreme Environment Camera

1/3 in. hi-res day/night, 540/540TVL, 6 mm lens, PAL

Order number **EX10M406B-P**

EX10M412B-P Extreme Environment Camera

1/3 in. hi-res day/night, 540/540TVL, 12 mm lens, PAL

Order number **EX10M412B-P**

EX10MX404B-N Extreme Environment Camera

1/3 in. extended day/night, 540/540TVL, 3.6 mm lens,
NTSC

Order number **EX10MX404B-N**

EX10MX406B-N Extreme Environment Camera

1/3 in. extended day/night, 540/540TVL, 6 mm lens,
NTSC

Order number **EX10MX406B-N**

EX10MX412B-N Extreme Environment Camera

1/3 in. extended day/night, 540/540TVL, 12 mm lens,
NTSC

Order number **EX10MX412B-N**

EX10MX404B-P Extreme Environment Camera

1/3 in. extended day/night, 540/540TVL, 3.6 mm lens,
PAL

Order number **EX10MX404B-P**

EX10MX406B-P Extreme Environment Camera

1/3 in. extended day/night, 540/540TVL, 6 mm lens,
PAL

Order number **EX10MX406B-P**

EX10MX412B-P Extreme Environment Camera

1/3 in. extended day/night, 540/540TVL, 12 mm lens,
PAL

Order number **EX10MX412B-P**

Accessories

BRKU10 U-type Bracket

Bracket, U-type for EX10, black

Order number **BRKU10**

EXPS.008 VAC Power Supply

Power supply 120 VAC/ 24 VAC 1500 mA

Order number **EXPS.008**

PSU-230-24 Power Supply

Power Supply, 230 VAC / 24 VAC, 50 W

Order number **PSU-230-24**

Company Info: **Tel: 31114-370030** **www.atexshop.com**
Comm-Co **Fax: +31114-370029** **www.ruggedshop.nl**
Kreekzoom 9 **E-mail: Info@comm-co.com** **www.webpainter.nl**
4561 GX Hulst **Website: http://www.comm-co.com** **www.wavecomblog.com**
The Netherlands **Webshop: http://www.ecommshop.com** **www.eyecctv.nl**

Represented by:

Americas:

Bosch Security Systems, Inc.
130 Perinton Parkway
Fairport, New York, 14450, USA
Phone: +1 800 289 0096
Fax: +1 585 223 9180
security.sales@us.bosch.com
www.boschsecurity.us

Europe, Middle East, Africa:

Bosch Security Systems B.V.
P.O. Box 80002
5617 BA Eindhoven, The Netherlands
Phone: + 31 40 2577 284
Fax: +31 40 2577 330
emea.securitysystems@bosch.com
www.boschsecurity.com

Asia-Pacific:

Robert Bosch (SEA) Pte Ltd, Security Systems
11 Bishan Street 21
Singapore 573943
Phone: +65 6571 2808
Fax: +65 6571 2699
apr.securitysystems@bosch.com
www.boschsecurity.asia

China:

Bosch (Shanghai) Security Systems Ltd.
201 Building, No. 333 Fuquan Road
North IBP
Changning District, Shanghai
200335 China
Phone +86 21 22181111
Fax: +86 21 22182398
www.boschsecurity.com.cn

America Latina:

Robert Bosch Ltda Security Systems Division
Via Anhanguera, Km 98
CEP 13065-900
Campinas, Sao Paulo, Brazil
Phone: +55 19 2103 2860
Fax: +55 19 2103 2862
latam.boschsecurity@bosch.com
www.boschsecurity.com